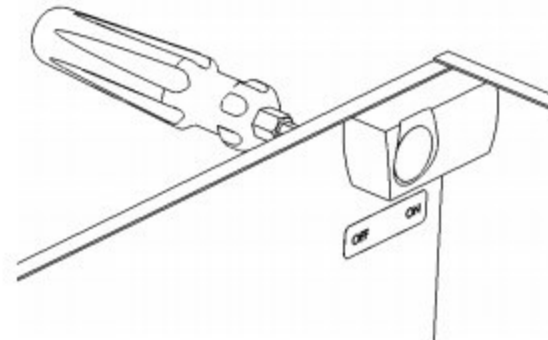
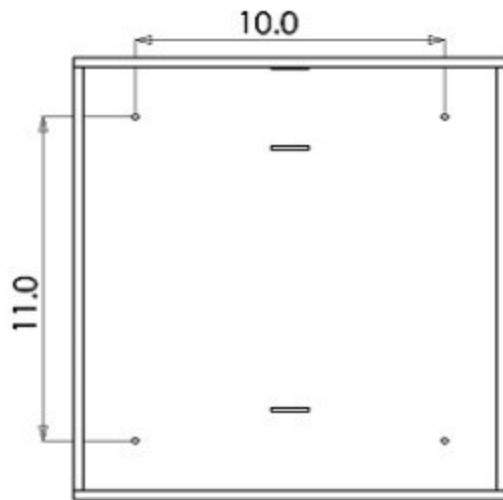


## Cabinet Mounting:

- 1) Locate studs or identify structural material capable of providing sufficient support.
- 2) Select fasteners (**not included**):
  - a) Steel studs—#10 x 2-1/2" fine thread
  - b) Wood studs—#10 x 2-1/2" coarse thread
  - c) Block or concrete—plastic wall anchors of minimum 1-1/2" depth
  - d) Hollow wall—minimum grip of 5/8 inch
- 3) The figure below shows the 4 mounting holes and their corresponding spacing in inches. It is recommended that fasteners are used in all 4 holes. Position the cabinet with a minimum of 2 fasteners attached to studs or concrete.



## Alarm Operation

- 1) The alarm can be activated or deactivated externally by removing the cap plug on the upper left side of the cabinet, inserting a small diameter screwdriver, paperclip, or similar device in the hole and moving the switch up (**ON**) or down (**OFF**). (See figure above)
- 2) The alarm can also be accessed from inside the cabinet.
- 3) The alarm is supplied with **three 1.5 volt LR44 / AG13 / G13-A or equivalent batteries**. To replace the batteries, remove the alarm that is attached by hook and loop. Access the batteries through the front of the alarm by sliding the lower panel down. Replace batteries and re-install alarm tightly in the upper left corner of the cabinet.
- 4) Opening the door will trigger the alarm. Closing the door will stop the alarm.

**Maintenance: Replace the batteries annually or as needed.**

**Warranty: One year limited warranty.**